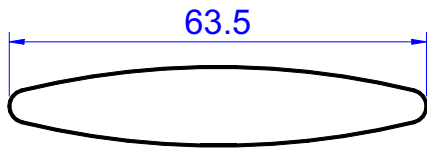
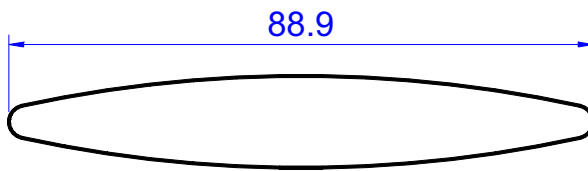


Hollywood Shutter Specification

1. **Louver Options:** 63.5mm and 89mm louver.

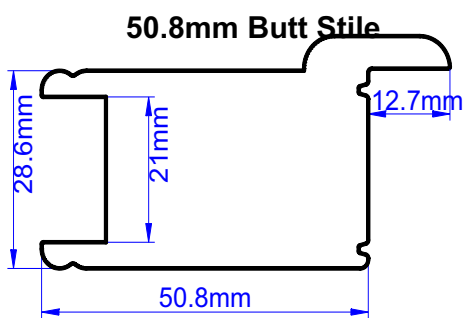
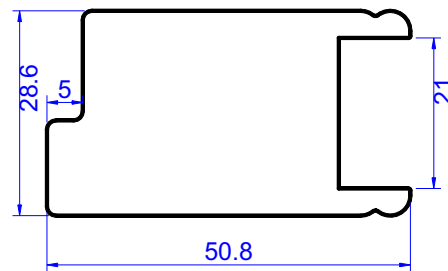
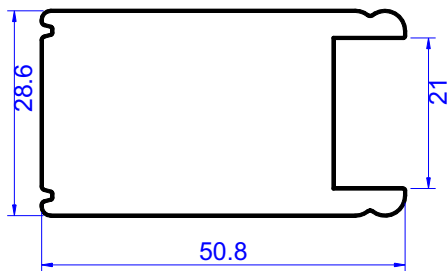


63mm Louver

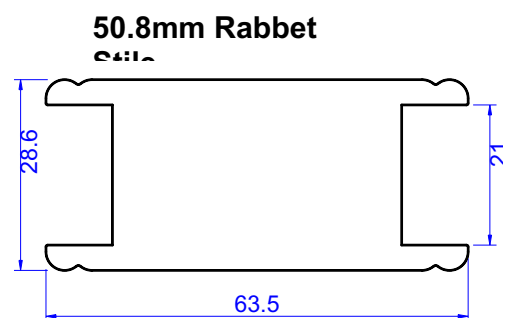


89mm Louver

2. **Stile Options:** 50.8mm Butt Stile and Rabbet Stile. 63.5mm center stile is required when panel width is wider than 750mm.



50.8mm Astragal Stile



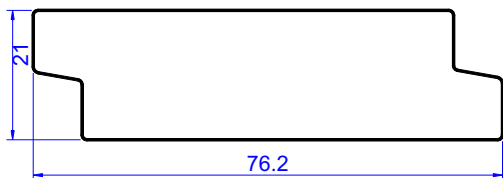
63.5mm Center Stile

3. **Rails:**

Hollywood Shutter Specification

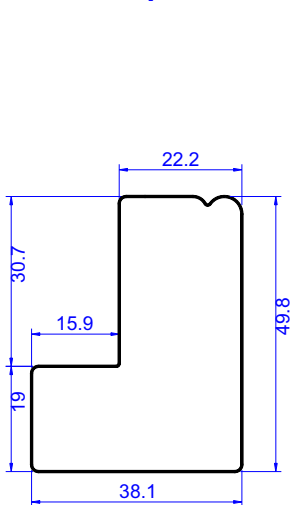


Top/Bottom Rail

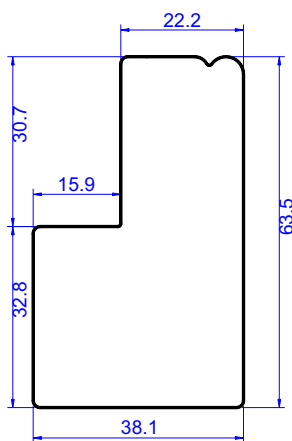


3" Divider Rail

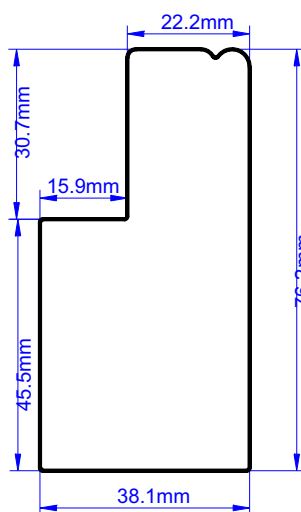
4. Frame Option:



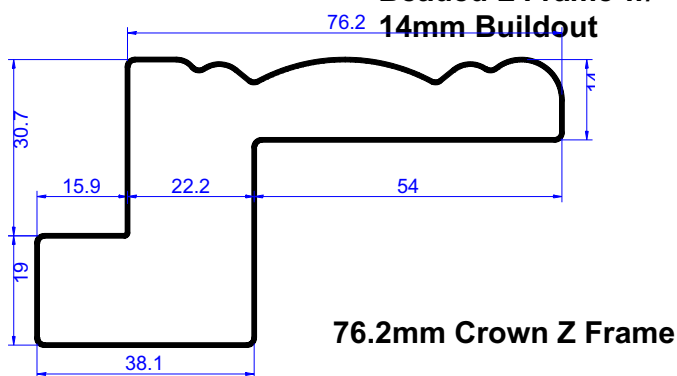
Beaded L Frame



Beaded L Frame w/
14mm Buildout

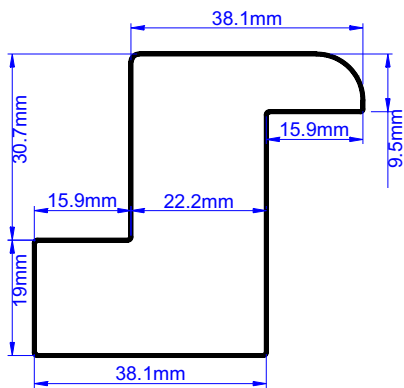


Beaded L Frame w/
26mm Buildout

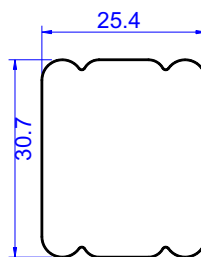


76.2mm Crown Z Frame

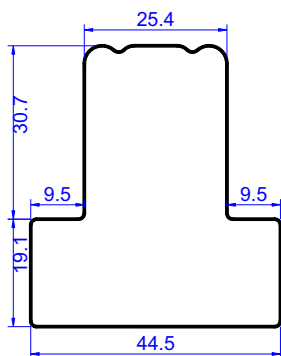
Hollywood Shutter Specification



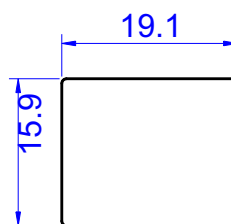
38.1mm Bullnose Z Frame



25.4mm Traditional Hang Strip

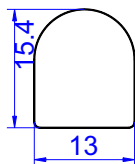


25.4mm T-post (L/Z)



Light Block

5. **Tilt rod:**



6. **Color Options**

- 001 Pure white
- 003 Silk white
- 004 Bright white
- 006 Pearl
- 011 Cameo
- 013 Bisque